

STAINLESS STEEL ELECTRIC TUG FOR 3 EURO BINS HAPPYTRACT 1200 EXT

Capacity 1200 kg - External

The HAPPYTRACT1200 EXT stainless steel motorised tug is meticulously engineered to securely transport three stainless steel Euro crates concurrently, rendering it perfect for rigorous food processing settings. It is both durable and agile, capable of enduring challenging conditions while adapting to thermal and hygrometric variations, making it suitable for diverse environments. With its benefits of safety, stability and efficiency, it will enhance your logistical operations.

-  **AISI 304** AISI 304 stainless steel fabrication
-  Supported on both sides of the Euro bin
-  Transferring 3 bins simultaneously: an efficient time-saving strategy.
-  Unrestricted autonomy facilitated by its interchangeable battery.
-  Soft start
-  Two stabilizing wheels to prevent the load from toppling.
-  2 speeds, including 1 slow speed for movement with the handle raised
-  Superior protection against water and dust.
-  Protective skirt on the anti-crush wheel
-  Ergonomic grip with emergency stop feature



Technical *specifications*

Reference	Product designation	Capacity	Fork width	Fork length	Length
TRACT1200E	HAPPYTRACT motorised truck for 3 x Eurobins	1200 kg	780 mm	2070 mm	2730 mm

STAINLESS STEEL ELECTRIC TUG FOR 3 EURO BINS HAPPYTRACT 1200 EXT



Using the push-pull
technique enhances
posture
of the user



Ergonomics.

The HAPPYTRACT1200 E serves as an indispensable everyday companion, meticulously engineered to streamline the management of European bins. It enables the operator to circumvent the need to pull and push these bins solely with arm strength. This represents a significant benefit for enhancing ergonomics and efficiency in such work environments.



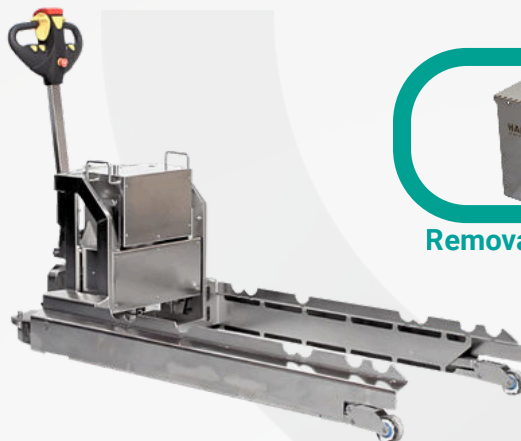
Conserve time.

The HAPPYTRACT1200 E efficiently manages all your heavy Euro bins with exceptional safety and accuracy. Its distinctive feature is the side-mounted attachment system, enabling it to accommodate all your bins, irrespective of their size or specifications. Furthermore, it provides considerable time savings by transporting three bins simultaneously.

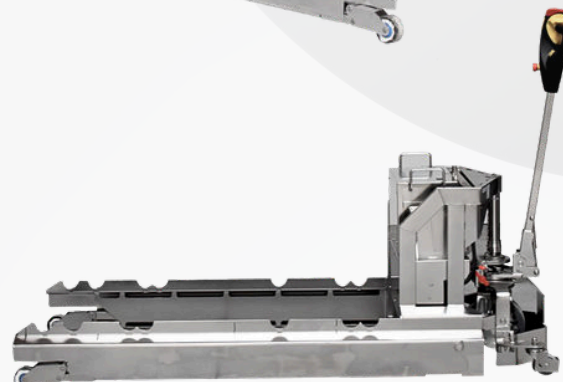


Securing the bin.

The HAPPYTRACT1200 E guarantees secure load transportation. Its sturdy and stable construction enables it to manage loads of up to 1200 kg without risk. With its emergency stop system and anti-crush skirt, your operations are safeguarded with every movement.



Removable battery



8, Rue de Malacussy
42100 Saint-Étienne - France
Phone : +33 (0)4 77 79 88 91
www.happymanut.net

HappyManut
ergonomic solutions