

6

essential
equipment

To

improve
ergonomics in
the food
industry

We all thrive at work
through **uplifted well-being.**

HappyManut
ergonomic solutions

03 — *Observation - Some figures*

04 — *The 6 essential pieces of equipments*

06 — *Zoom in on*
the mini lifter
HAPPYLIFT

14 — *Zoom in on*
the high lift pallet truck
HAPPYPAL

16 — *Zoom in on*
the 1.3 T electric stainless
steel pallet truck
HAPPYPALGO

18 — *Zoom in on*
the stainless steel electric
tug for European bins
HAPPYTRACT

20 — *Zoom in on*
the stainless steel
adjustable height
work table
HAPPYWORK

22 — *Zoom in on*
the stainless steel
adjustable height
scissor lift table
HAPPYLIFTINGFIX

24 — Why choose
HAPPYMANUT?

26 — They trust us



THE FOOD INDUSTRY IS STRONGLY IMPACTED BY MSDs

(Musculoskeletal Disorders)

DID YOU KNOW



97%

occupational diseases in the food industry are linked to MSDs

+77 millions euros

of contribution costs incurred

+930 000

working days lost per year

Manual handling is the leading cause of workplace accidents.

*French figures

The proof in these two very affected sectors:



In the cheese and dairy products sector

56%

of work accidents are linked to manual handling (carrying loads, etc.)



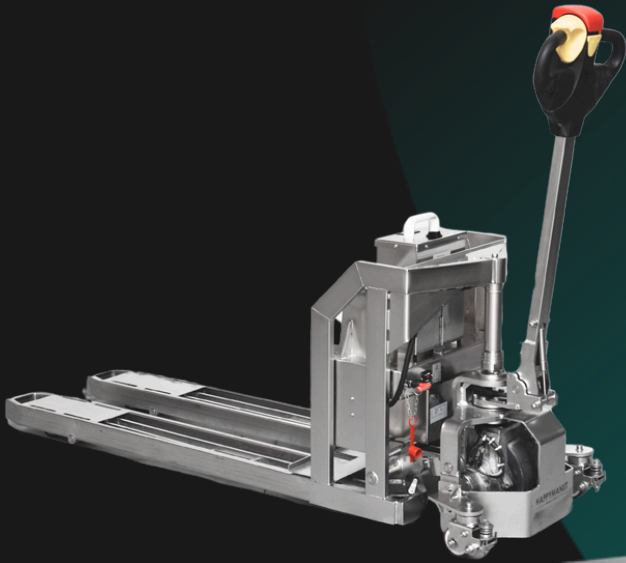
In the butchery and poultry sector

49%

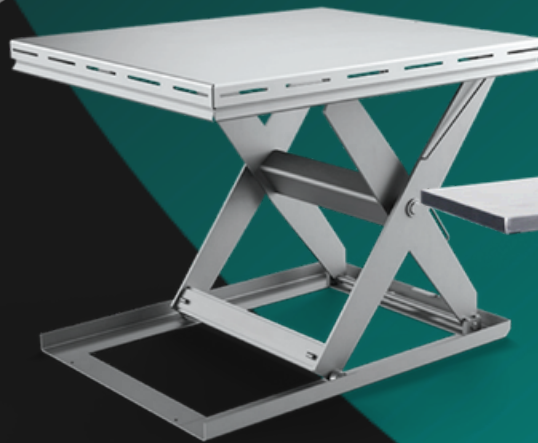
of work accidents are linked to manual handling (carrying loads, etc.)

Together, let's find solutions to improve your workstations by eliminating **manual handling**.

We all thrive at work through **Uplifted well-being**.



The 1.3 T stainless
steel electric pallet
truck
HAPPYPALGO
p.16



The stainless steel adjustable
height scissor lift table
HAPPYLIFTINGFIX
p.22



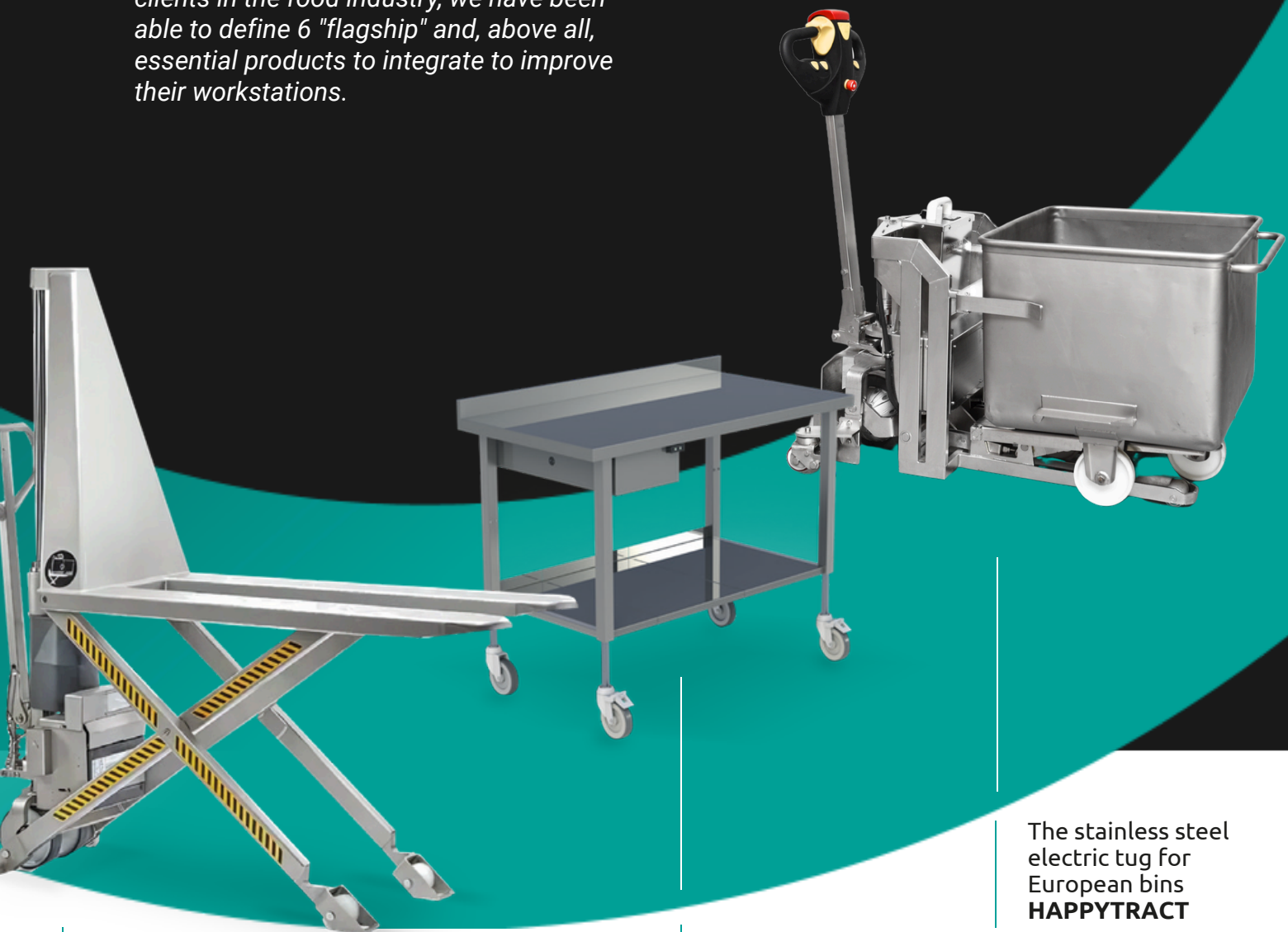
The stainless steel
mini lifter
HAPPYLIFT
p.6

***the 6 essential
equipments***

THE 6 ESSENTIAL PIECES OF EQUIPMENTS

in the food industry

After several years of working with our clients in the food industry, we have been able to define 6 "flagship" and, above all, essential products to integrate to improve their workstations.



The high-lift
pallet truck
HAPPYPAL
p.14

The stainless steel
height-adjustable
work table
HAPPYWORK
p.20

The stainless steel
electric tug for
European bins
HAPPYTRACT
p.18



zoom in on

STAINLESS STEEL MINI LIFTER HAPPYLIFT

Electric or manual

To eliminate the need to carry loads and prevent musculoskeletal disorders (MSDs) for your employees, the HAPPYLIFT stainless steel electric lifter allows you to handle all types of containers without difficulty.

Made of stainless steel, the Happylift has various models with capacities ranging from 100kg to 300kg.



AISI304
stainless steel
construction



Capacities
from 100
to 300 kg



From 0 to
3 meters

Its greatest quality:
Versatility

The accessories are all interchangeable which are attached to the moving carriage on the mast.

Different interchangeable tools

Different bases

Different mast heights



Download the
product sheet for
our HAPPYLIFT
range on our
website

Model presented:
Ref Happylift :
LIFT100ML2



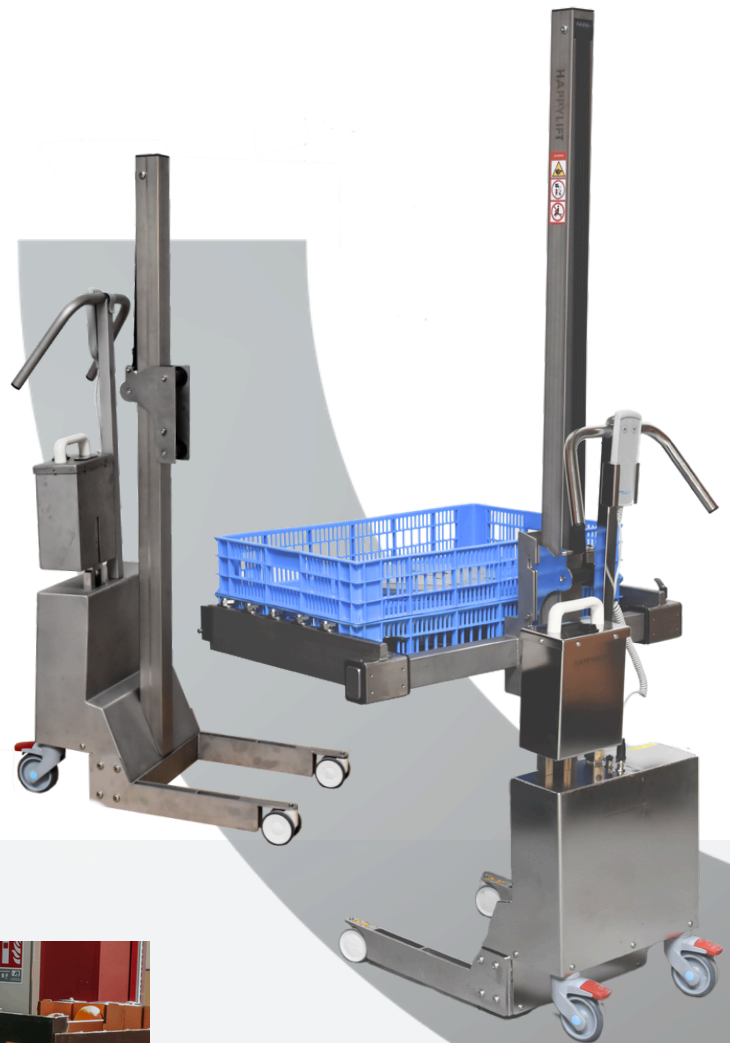
zoom in on

STAINLESS STEEL MINI LIFTERS

Capacity 100kg

HAPPYLIFT100

Our HAPPYLIFT100 range of handling lifters is designed to handle loads of up to 100 kg. Equipped with a remote control and extremely manoeuvrable, these trolleys offer several mast heights and customisable bases, making it easy to lift and safely handle various types of loads. They are particularly suitable for demanding environments, guaranteeing reliability and compliance with hygiene standards.



Download the
HAPPYLIFT100
template on our
website



Model presented :
Réf Happylift :
LIFT100ML1

Stainless steel
platform accessory
Ref: **OPTLIF1001**

TOOL. 1

Single stainless steel platform

For all types of loads : the simple stainless steel platform accessory allows you to handle your loads simply and effortlessly.



Discover the video



Model presented:
Ref Happylift :
LIFT100SL3
& **OPTLIFT1035**
& **OPTLIFT1015**

TOOL. 2

Forks for crate dollies

Packaging : the fork accessory for mobile crate dollies along with the constant level option allows the operator to have automatic leveling of the crates.



Discover the video





Model presented:
Happylift
Ref: [LIFT100ML1](#)
Double spur
accessory
Ref: [OPTLIF1020](#)

TOOL. 3

Double spur reels

Bobbin storage: the double spur accessory for handling your bobbins and the bobbin trolley for storing them horizontally. It's the perfect combination!



Discover the video



Model presented:
Happylift
Ref: [LIFT100ML2](#)
Spur accessory
Ref: [OPTLIFT1021](#)

TOOL. 4

2 in 1 tool: V-cradle & spur

For packaging : this this reel holder allows rotation to choose the unwinding direction. Also a 2-in-1 tool: a rotating V-shaped cradle can be added to the spur in a few seconds.



Discover the video





Model presented:
Happylift
Ref: [LIFT100ML1](#)
Roller tray accessory
Ref: [OPTLIF1010](#)

TOOL. 5

Roller tray

For all types of loads : this roller tray accessory facilitates the horizontal transfer of loads in complete safety thanks to its retractable anti-fall edges.



Discover the video



Model presented:
Happylift custom
mast height
Ref: [PSM](#)
Bespoke fork
accessory
Ref: [PSM](#)

TOOL. 6

Gripping fork

In production : this accessory eliminates the need to handle loads with our own arms. A tool that can be adapted specifically to your load.



Discover the video



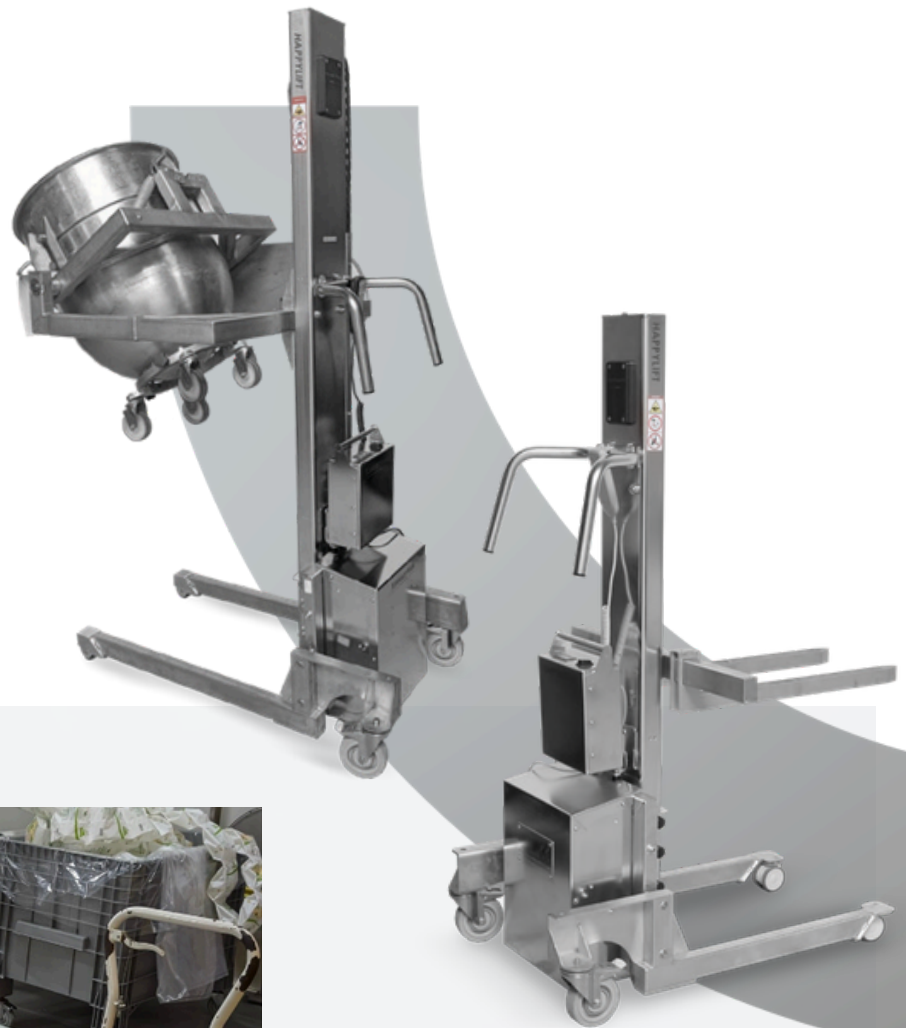
zoom in on

STAINLESS STEEL MINI LIFTER

Capacities 200 & 300kg

HAPPYLIFT200 &300

Our HAPPYLIFT200 and 300 handling trucks are designed to safely lift and handle loads up to 200 kg and 300 kg. Equipped with a remote control, they offer precise control and adapt to various needs thanks to their customizable mast heights and bases. Reliable and compliant with hygiene standards, they are ideal for facilitating the daily handling of your loads.



Download the
HAPPYLIFT200
model sheet from
our website



Model presented:
Happylift
Ref: [LIFT300ML3](#)
Tank gripper
accessory
Ref: [PSM](#)

TOOL. 1

Tank gripper

For all types of loads : the tank gripper accessory allows you to lift, move and tip your heavy loads with ease.



Discover the video



Model presented:
Happylift
Ref: [LIFT200ML3](#)
Coil turner
accessory
Ref: [OPTLIFT2326](#)

TOOL. 2

Coil handler

Spool spur : a practical accessory for handling spools effortlessly, particularly when receiving them on a pallet.



Discover the video



TOOL. 3

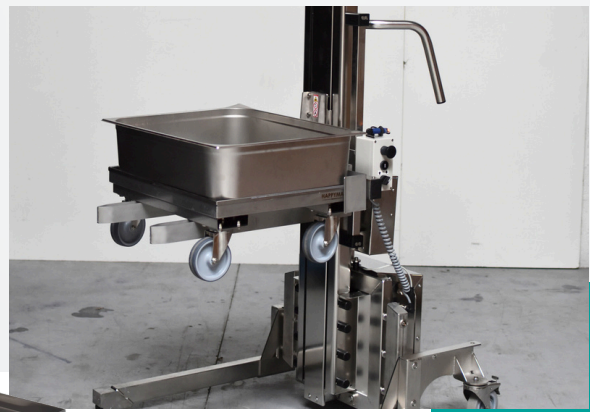
Fork for stainless steel rolling base

Packaging : the fork accessory for stainless steel rolling bases levels a stack of stainless steel GN containers automatically thanks to its constant level sensor.

Model presented:
Happylift
Ref: [LIFT200ML1](#)
Constant level
accessory
Ref: [OPTLIFT2338](#)
Fork accessory for
stainless steel rolling
bases
Ref: [PSM](#)



HAPPYMANUT
stainless steel rolling
base compatible with
Ref. : [I1980003](#)



Discover the video

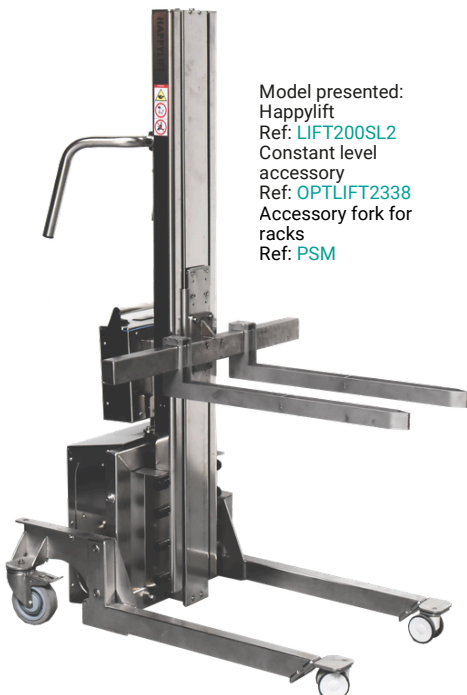


TOOL. 4

Adjustable forks

In production : The rack fork attachment makes leveling an entire stack easy. The operator no longer needs to lift or bend down.

Model presented:
Happylift
Ref: [LIFT200SL2](#)
Constant level
accessory
Ref: [OPTLIFT2338](#)
Accessory fork for
racks
Ref: [PSM](#)



Discover the video





zoom in on

STAINLESS STEEL HIGH LIFT PALLET TRUCK HAPPYPAL

Electric or manual

We offer a range of high lift manual pallet trucks to electric pallet trucks to facilitate the handling of loads. Made from stainless steel, these sturdy pallet trucks are resistant to moisture and chemicals, ensuring long-lasting efficiency over the years.



AISI304
stainless steel
construction



Lifting
height up
to 800 mm

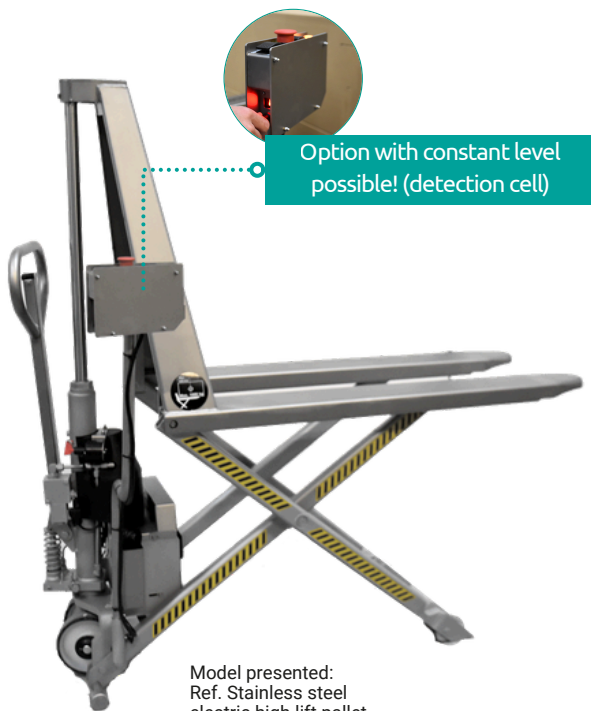


Hygienic (easily
cleanable with plenty of
water)



Download the
product sheets for
our HAPPYPAL
range on our
website

Model presented:
Ref: TP0103001



Model presented:
Ref. Stainless steel
electric high lift pallet
truck : TP0102002
Ref. High Lift electric
stainless steel pallet truck
with constant level:
TP0102003

EXAMPLE. 1

Electric high lift pallet truck HAPPYPALOAD

Motorised manutention of your pallets is done effortlessly. Electric lift and descent of the load using the handle or automatically.



Discover the video



EXAMPLE. 2

Motorized electric high lift pallet truck HAPPYPALGOLEV

Electric leveling and movement of pallets, facilitating traction and lifting of the load to reduce operator effort.



Model presented:
Ref. High Lift electric
pallet truck and stainless
steel motorized
movement: TP0102003

Discover the video





zoom in on

1.3 T STAINLESS STEEL ELECTRIC PALLET TRUCK HAPPYPALGO

With motorization

The HAPPYPALGO 1.3T stainless steel pallet truck makes pallet handling easier while providing safety and comfort. Its motorized wheel reduces physical effort and provides smooth electric assistance.

Designed for humid and cold environments, it is resistant to the demands of the food industry. Robust, hygienic, and easy to handle, it optimizes daily logistics with ergonomics, performance, and durability.



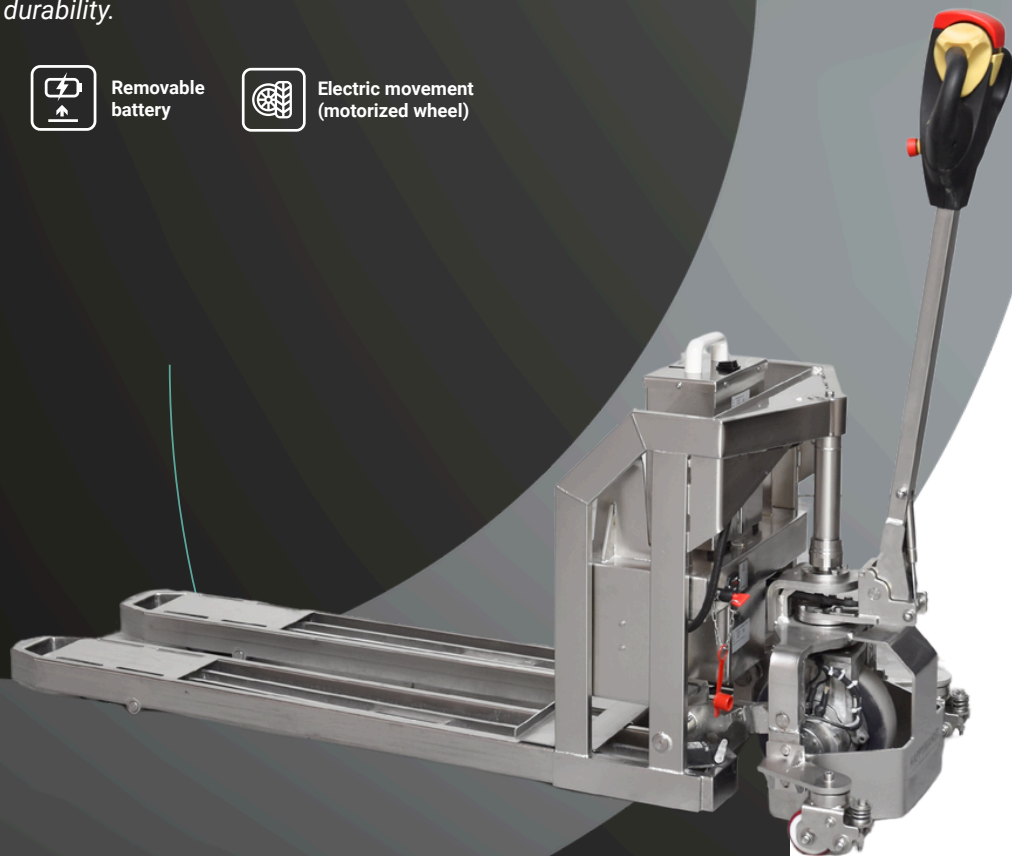
AISI304
stainless steel
construction



Removable
battery



Electric movement
(motorized wheel)



Download the
product sheets for
our HAPPYPAL
range on our
website

Model presented:
Ref: TP0101003



EXAMPLE. 1

Handling stacks of cheese racks

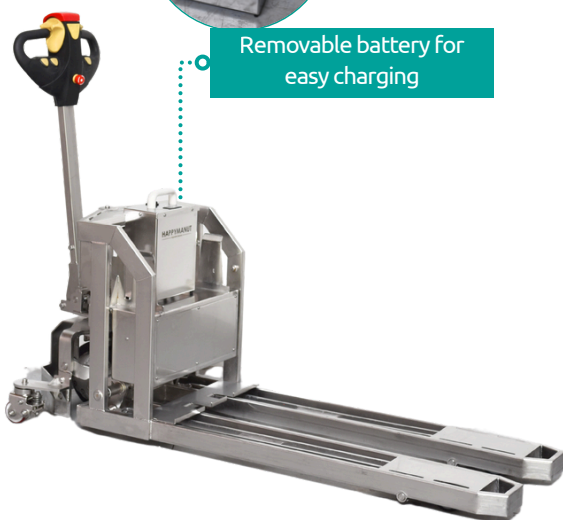
The ideal tool for handling stacks of cheese racks in your workshops, reducing the effort required to lift and move.



Discover the video



Removable battery for easy charging



EXAMPLE. 2

Handling of various pallets

This tool simplifies pallet management, saving valuable time and helping to improve operator health.



Discover the video





zoom in on

STAINLESS STEEL SMART ELECTRIC TUG HAPPYTRACT

Specific for European bins

Our HAPPYTRACT stainless steel motorised tugs facilitate the handling of Euro bins and stainless steel tanks used in the food industry. Designed for demanding environments, they can move up to 1200 kg safely, with optimal maneuverability and stability.



AISI304
stainless steel
construction



Removable
battery



Electric movement
(motorized wheel)



Download the
product sheets for
our HAPPYTRACT
range on our
website

Model presented:
Ref: TRACT400

Model presented:
Ref. : TRACT400



EXAMPLE. 1

Electric tug HAPPYTRACT400

Model 1x European bin : makes handling bins easier, improves ergonomics and allows you to work without bending over, thus reducing back pain.



Discover the video



Model presented:
Ref. : TRACT800



EXAMPLE. 2

Electric tug HAPPYTRACT800

Model: 2x European Bins : It is now possible to pull 2 (or 3 bins: HAPPYTRACT1200) at a time over long distances, with a simple and secure grip of the bins, allowing easy pulling.



Discover the video





zoom in on

STAINLESS STEEL TABLES HAPPYWORK

Height adjustable

Our range of height adjustable tables are sturdy, hygienic and ideal for demanding environments such as the food industry or laboratories.

It is manually height-adjustable, allowing it to be adapted to each user for optimal comfort and improved ergonomics. Multiple dimensions are available to meet your expectations as closely as possible.



AISI 304
stainless steel
construction



Manual or
electric



Adjustable
from 600/700
to 1000 mm



Download the
product sheets for
our HAPPYWORK
range on our
website

EXAMPLE. 1

Electric model: HAPPYWORKPLAN

In production : The height-adjustable electric trolley is ideal for working at the right height thanks to its remote control.



Discover the video



EXAMPLE. 2

Manual model: HAPPYWORKTABLE

Packaging : The manual variable height table is perfect for adjusting to the height of your choice thanks to its folding crank.



Discover the video





zoom in on

LIFTING SCISSOR FIXED STAINLESS STEEL TABLE HAPPYLIFTINGFIX

Electric

Our fixed electric stainless steel lifting tables are perfect for adjusting a load and providing the operator with a working environment at the appropriate height.

They are corrosion resistant and easy to clean, ensuring impeccable hygiene.



AISI304
stainless steel
construction



Capacity
up to 10 t



Lifting height
up to 3 m



Download the
product sheets
for our
HAPPYLIFTINGFIX
range on our website

Model presented:
Ref: TEF010601001

Model presented:
Ref: TEF010101001



EXAMPLE. 1

Single stainless steel scissor lift tables

Ideal for the food industry, they are perfectly suited to packaging lines as well as palletizing areas.



Discover the video



+28 options available



Mechanical stops, photocells, rail chassis, raised chassis, roller conveyor, platform security, inspection hatch, HD execution, limit switch, gate guardrail, guardrail, steel offset, etc.



**Custom options,
contact us!**



Why choose *Happymanut* ?

Choosing our solutions means opting for a virtuous circle where each asset reinforces the next :



High-quality,
perfectly adapted
stainless steel
equipment.



Measurable
increase in your
productivity.



Promoting your
employer brand.



Increased
employee
satisfaction.



Reduction of
work accidents
and associated
absences.

We all thrive at work
through **uplifted well-being.**



HAPPYMANUT,
*your partner
for better
well-being at work*

We all thrive at work
through **uplifted well-being.**

Our references *in the Food Industry*

Discover some of the companies that trust us:



We all thrive at work
through **uplifted well-being.**



HAPPYPALGO
FROMAGERIE DES
CHAUMES



HAPPYPALEV
GROUPE LDC

We are very satisfied with the mini-lifter, which has changed our approach to the bar storage station. All team members can now work at the station thanks to the handling aid. We are saving time due to ease of handling of the device. At end of the day it is much less tiring as we are no longer required to use a step ladder, which is an increase in safety in the workshop.

I wanted to give you some positive feedback on the equipment we chose with you. Our employees are really happy with it and use it every day. It's great.

Benjamin BOBES
Site Director at
LDC Bretagne



Elvire REYNAUD
Safety & Environment
Manager at
ROCHEBILLARD ET BLEIN
(AGRIAL Group)



MINI-GERBEUR
HAPPYLIFT
BIGARD BONNEVILLE



We all thrive at work
through **Uplifted**
well-being.



8, rue de Malacussy
42100 Saint-Etienne
Phone : +33 (0)477 798 891
www.happymanut.net

HappyManut
ergonomic solutions